

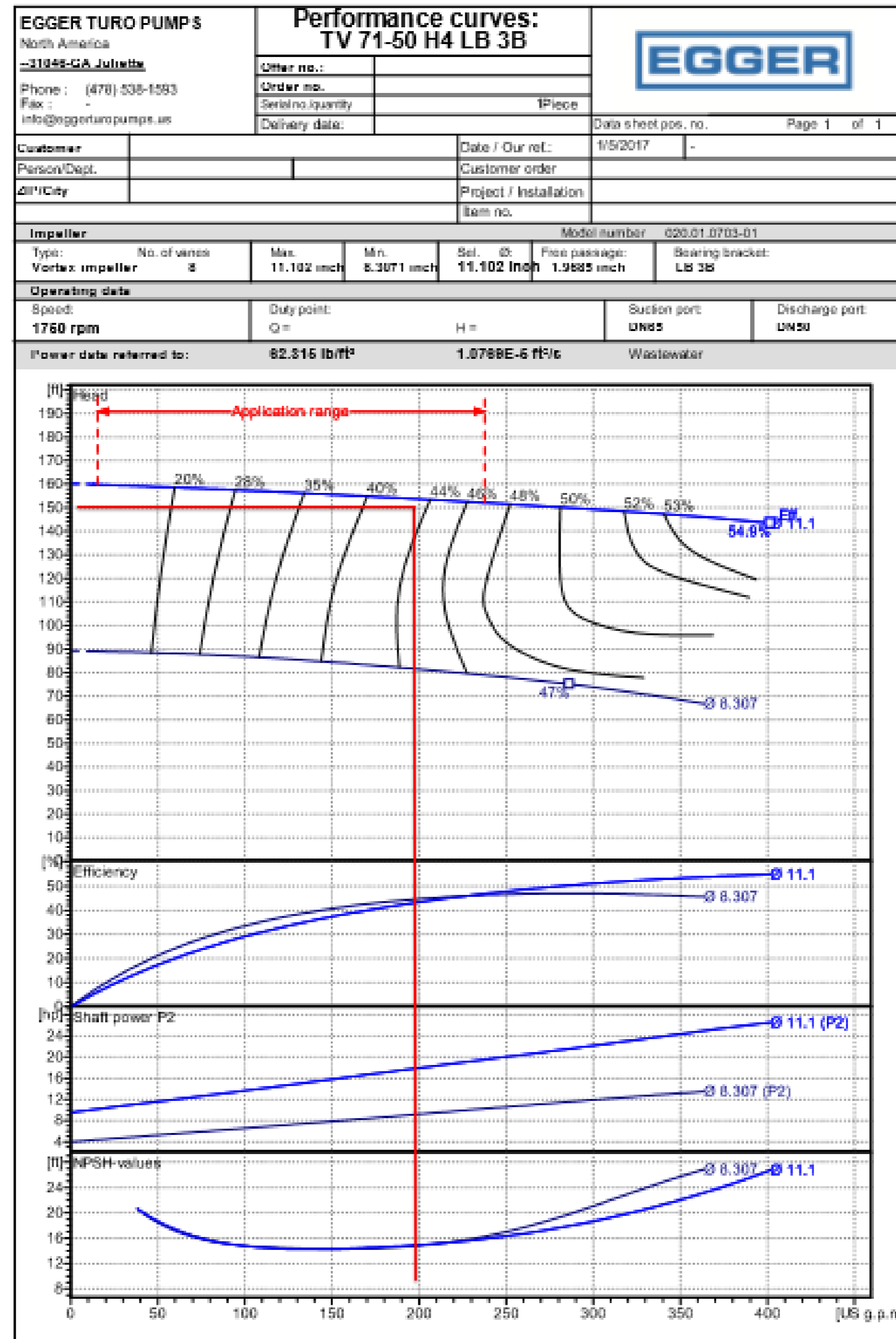
**EGGER**

***EGGER Turo High Pressure Recessed Impeller pumps***

***Ideal for Sewage, Sludge, Scum, & Grit***

EGGER TURO PUMPS N.A., Inc.  
140 Willingham Drive  
Juliette, GA 31046

# Head Head Sludge Pumps



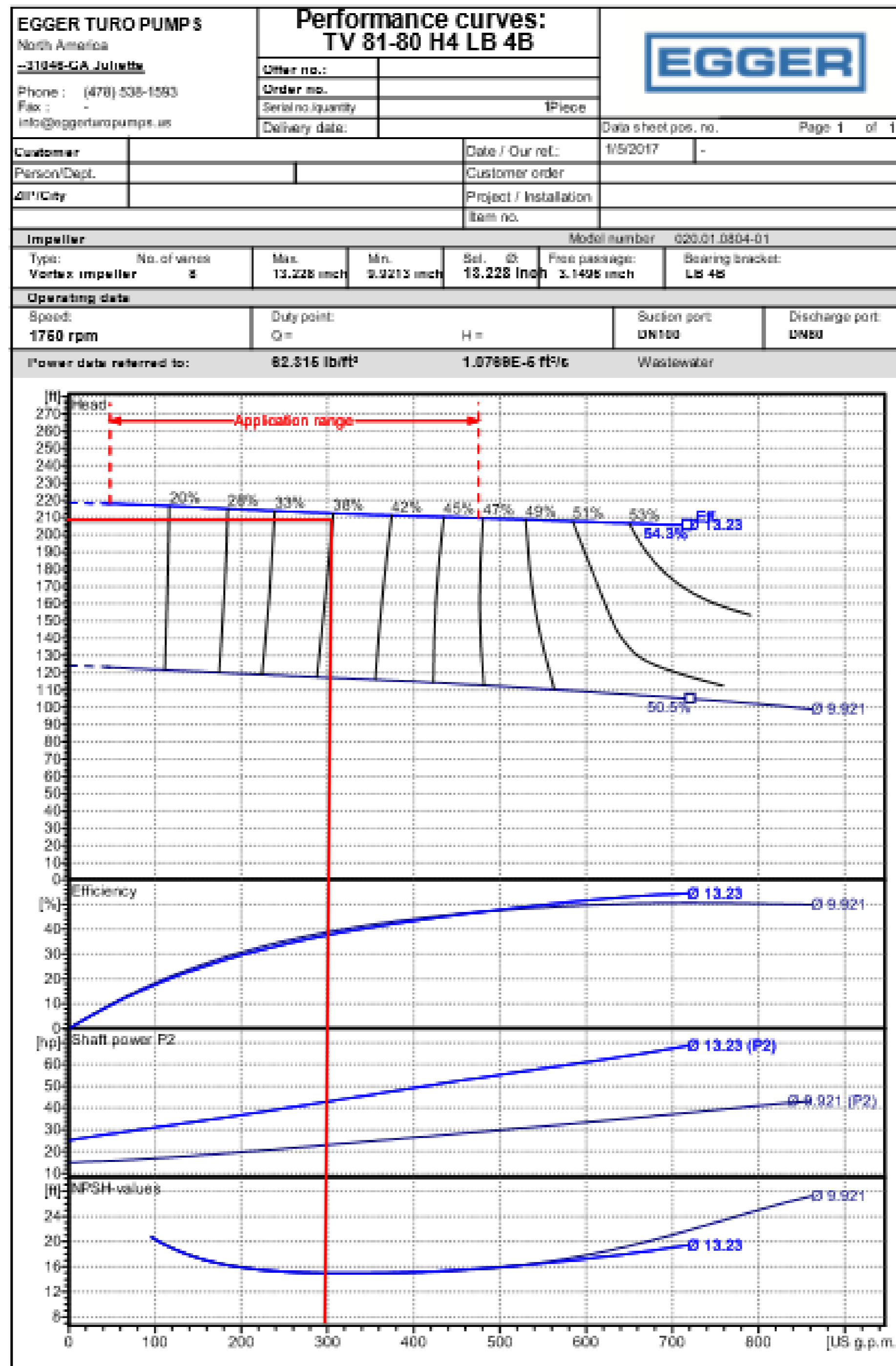
200 gpm at 150 ft-tdh

NOTE: 150 feet = 65 psig

# Head Head Sludge Pumps

300 gpm at 210 ft-tdh

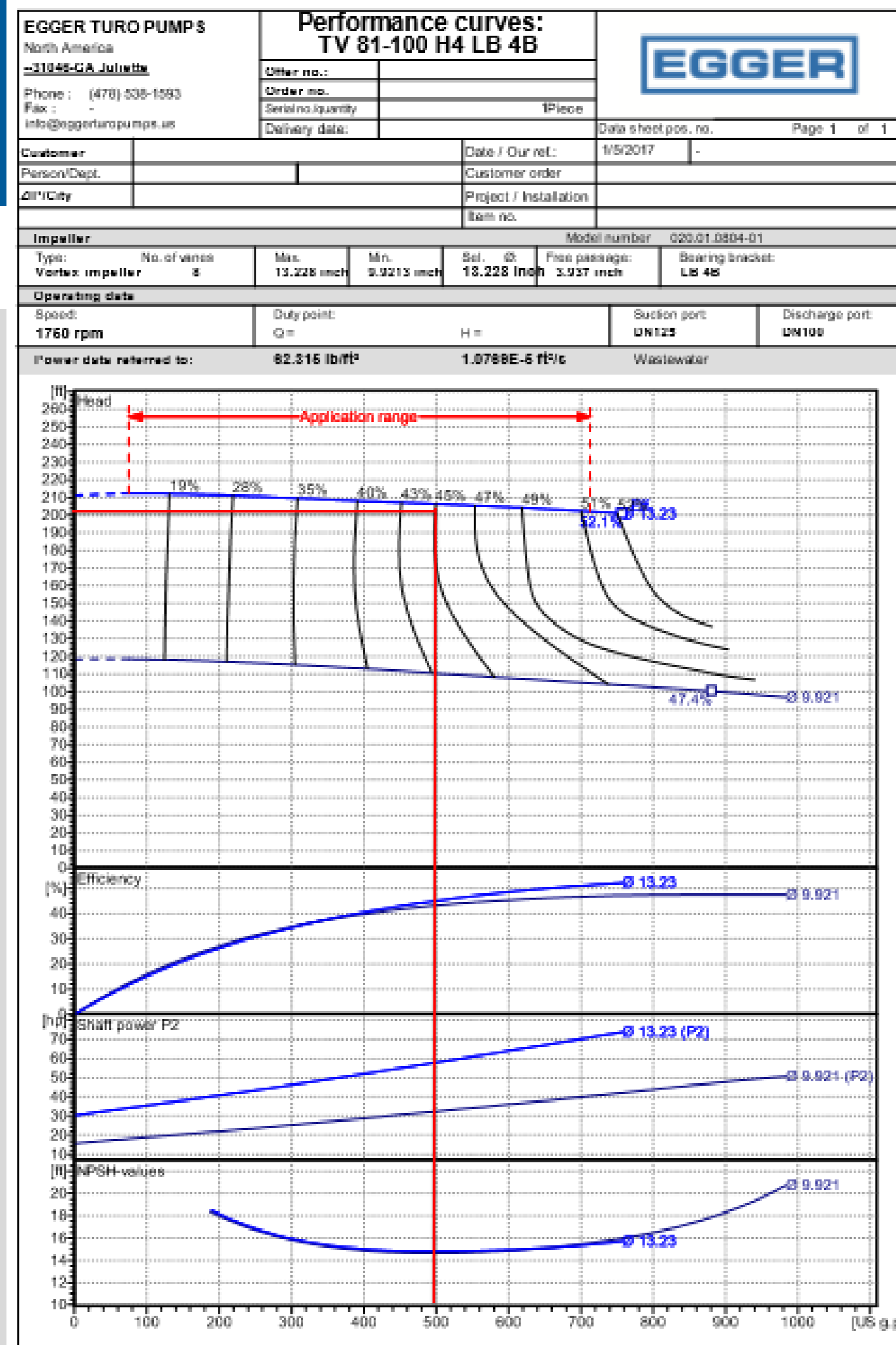
NOTE: 210 feet = 91 psig



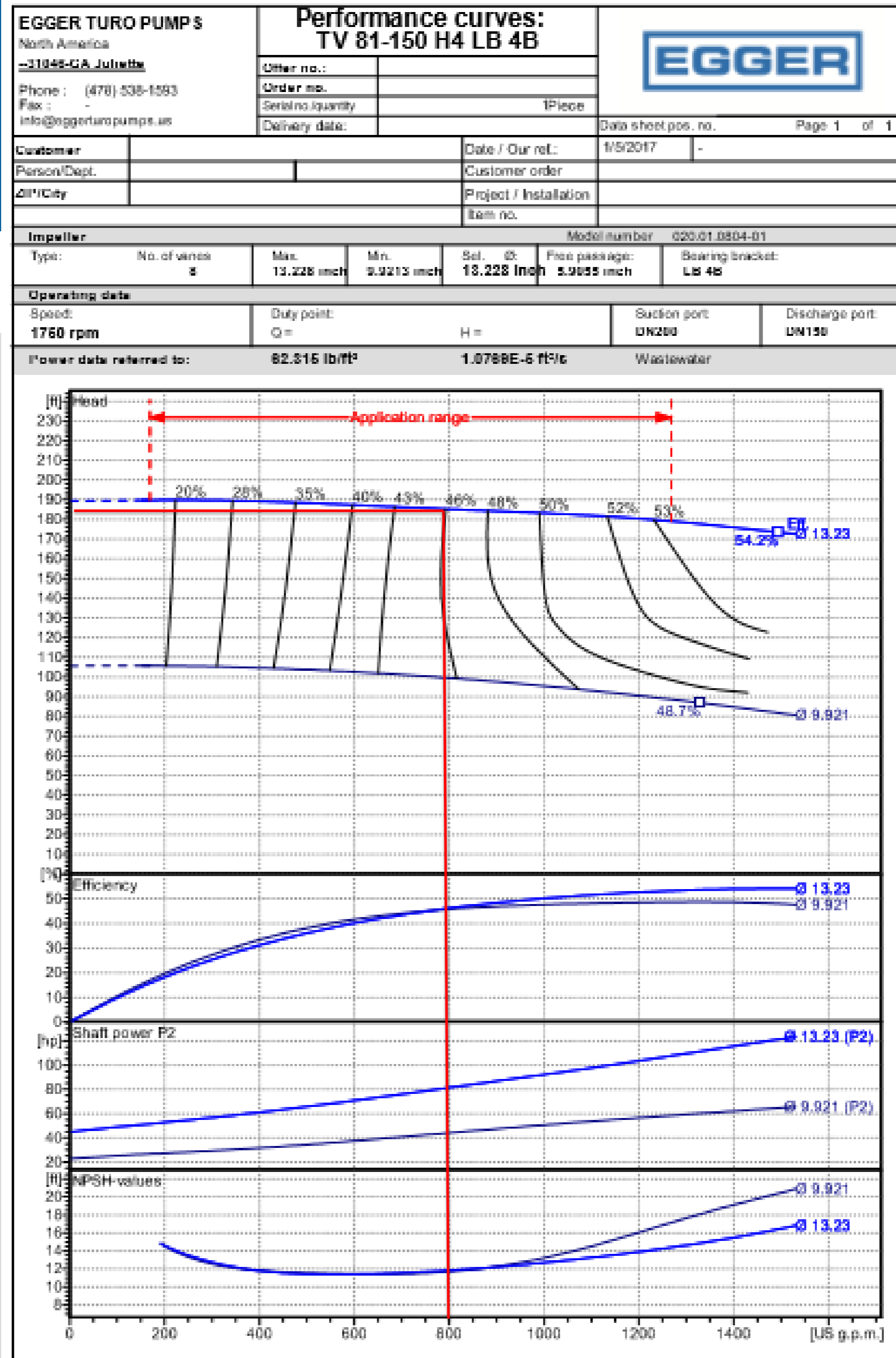
# Head Head Sludge Pumps

500 gpm at 203 ft-tdh

NOTE: 203 feet = 87 psig



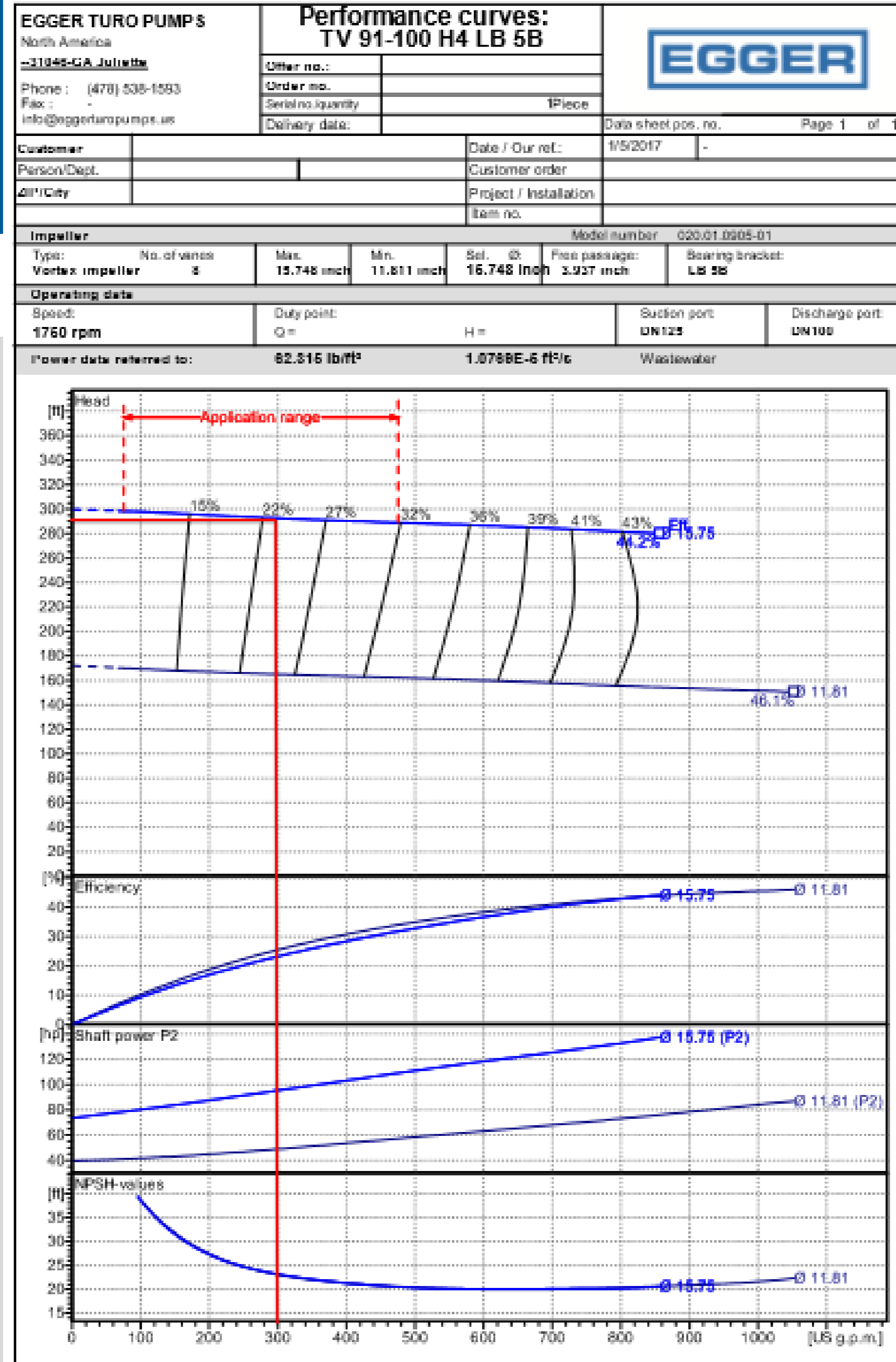
# Head Head Sludge Pumps



800 gpm at 184 ft-tdh

NOTE: 184 feet = 80 psig

# Head Head Sludge Pumps



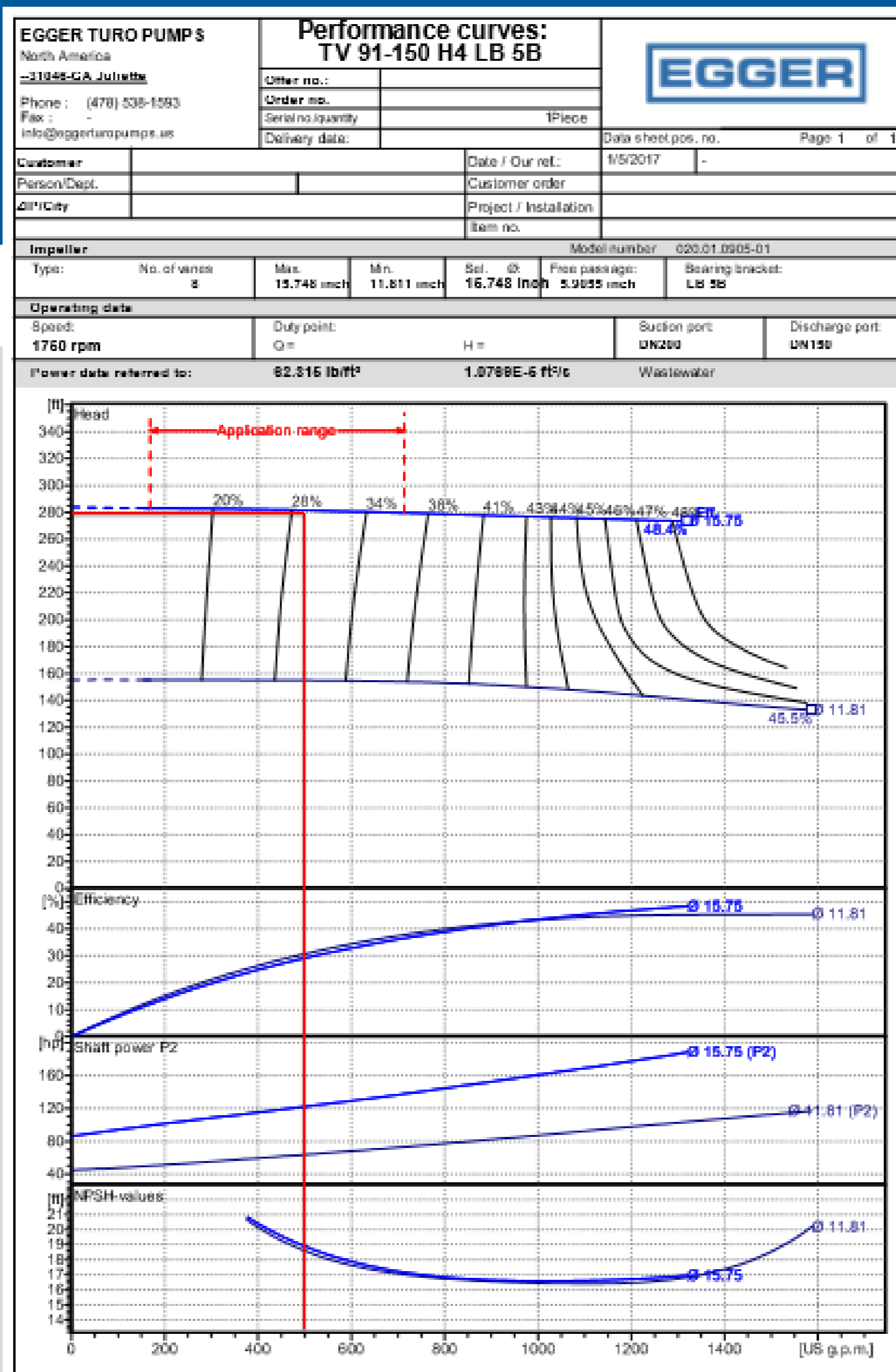
300 gpm at 290 ft-tdh

NOTE: 290 feet = 125 psig

# Head Head Sludge Pumps

500 gpm at 275 ft-tdh

NOTE: 275 feet = 119 psig



# Summary – High Head Pumps



TV 71 – 50 H4 LB 3B (200 gpm at 65 psig, 18.5 BHP)

TV 81 – 80 H4 LB 4B (300 gpm at 91 psig, 43 BHP)

TV 81 – 100 H4 LB 4B (500 gpm at 87 psig, 58 BHP)

TV 81 – 150 H4 LB 4B (800 gpm at 80 psig, 80 BHP)

TV 91 – 100 H4 LB 5B (300 gpm at 125 psig, 95 BHP)

TV 91 – 150 H4 LB 5B (500 gpm at 119 psig, 120 BHP)



TURO: Better by Design!



Question...

Have you ever seen a pump  
that could pump a chain???



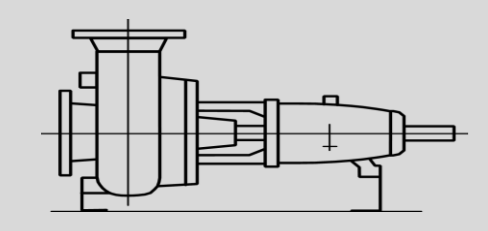


Horizontal

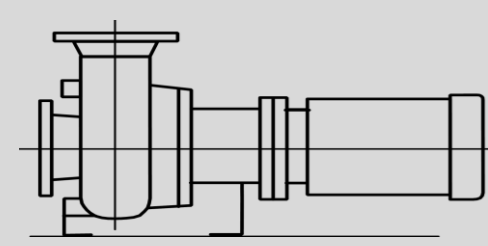
Vertical

Vertical Sump

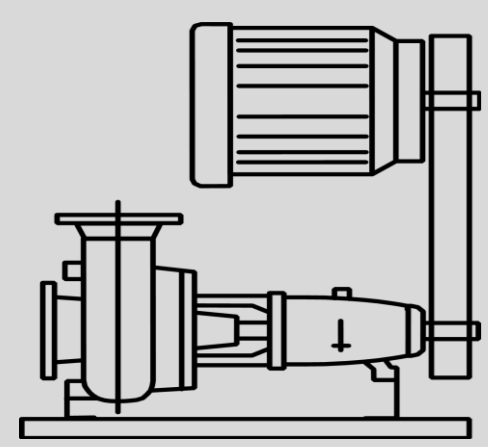
Cantilever



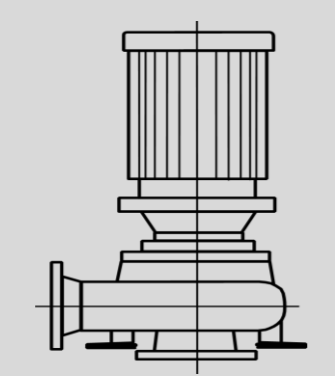
H [HT, HP]



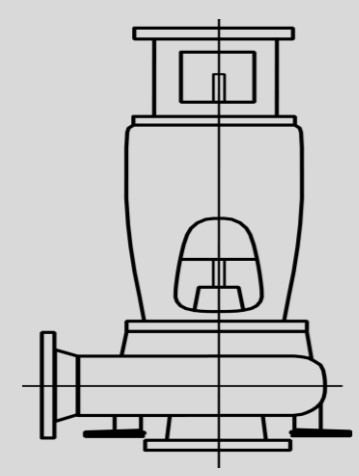
HF



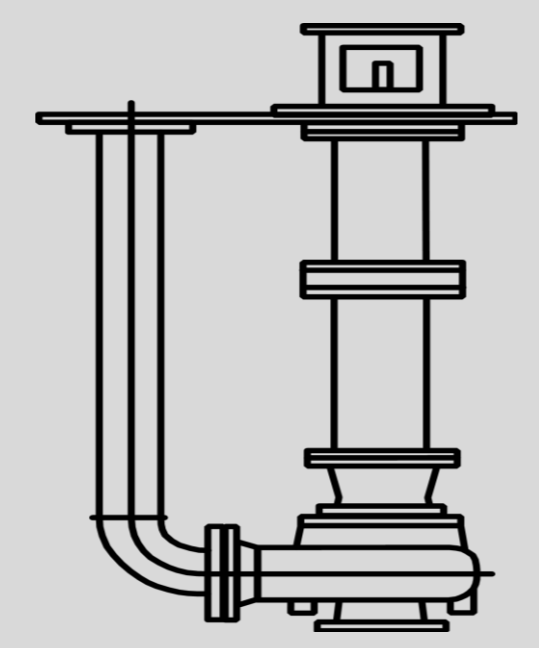
HB



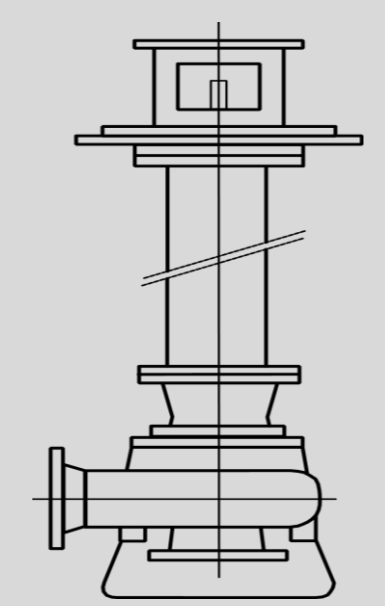
VF



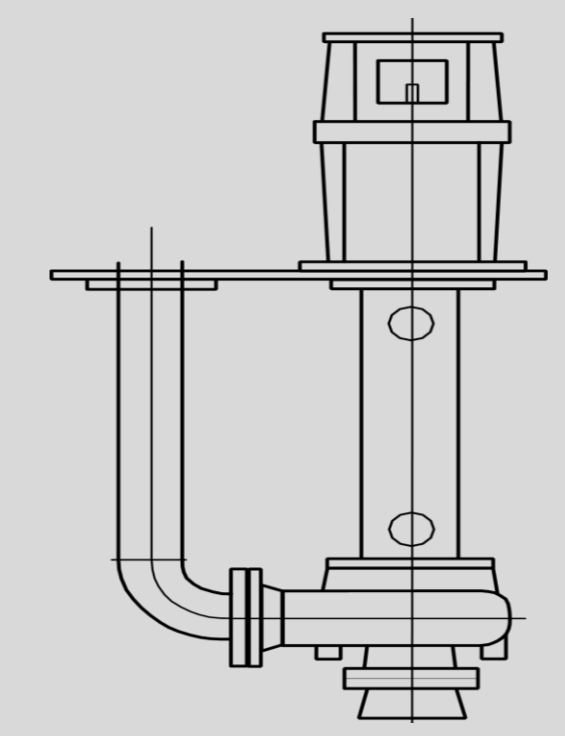
V



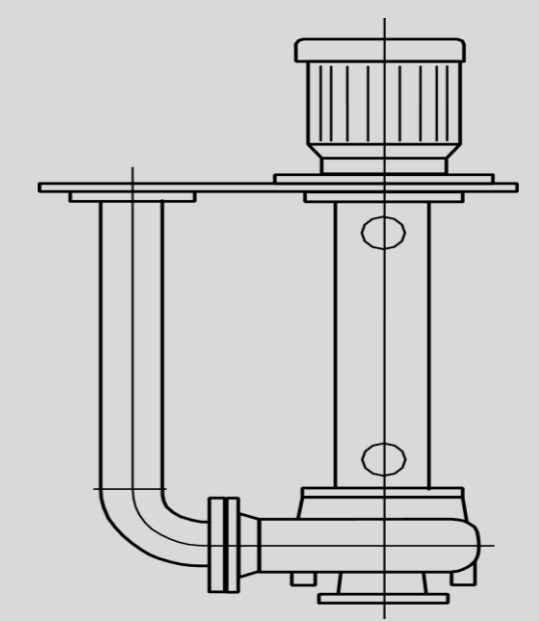
S



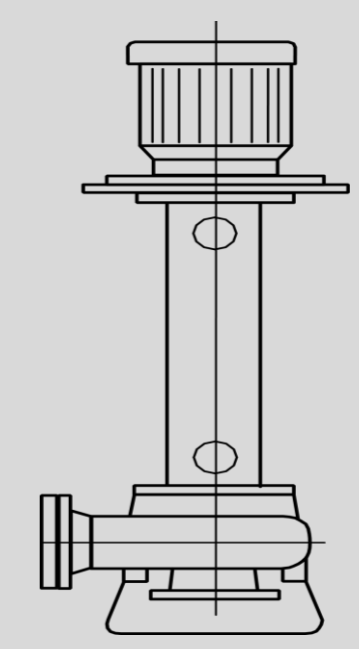
F



SO



SOF



FOF

Please visit: [www.grit-pump.com](http://www.grit-pump.com)





*Thank you!*

Paul A. Nelsen  
+1 (478) 538-1593  
paul@eggerpumps.com